



**FITTING INSTRUCTIONS FOR LP0234BK LICENCE PLATE BRACKET
HONDA X-ADV '17-**



**THIS KIT CONTAINS THE ITEMS PICTURED AND LABELLED BELOW.
DO NOT PROCEED UNTIL YOU ARE SURE ALL PARTS ARE PRESENT.**

Please note that the way the kit is packed does not necessarily represent the way of mounting to the bike.

THE PARTS SHOWN MAY BE REPRESENTATIVE ONLY (FOR CLARITY OF INSTRUCTIONS ONLY).

TOOLS REQUIRED

- Set of metric Allen keys.
- Set of metric sockets, wrench and extensions.
 - 12mm spanner.
 - Phillips screwdriver.
 - Cable cutters.

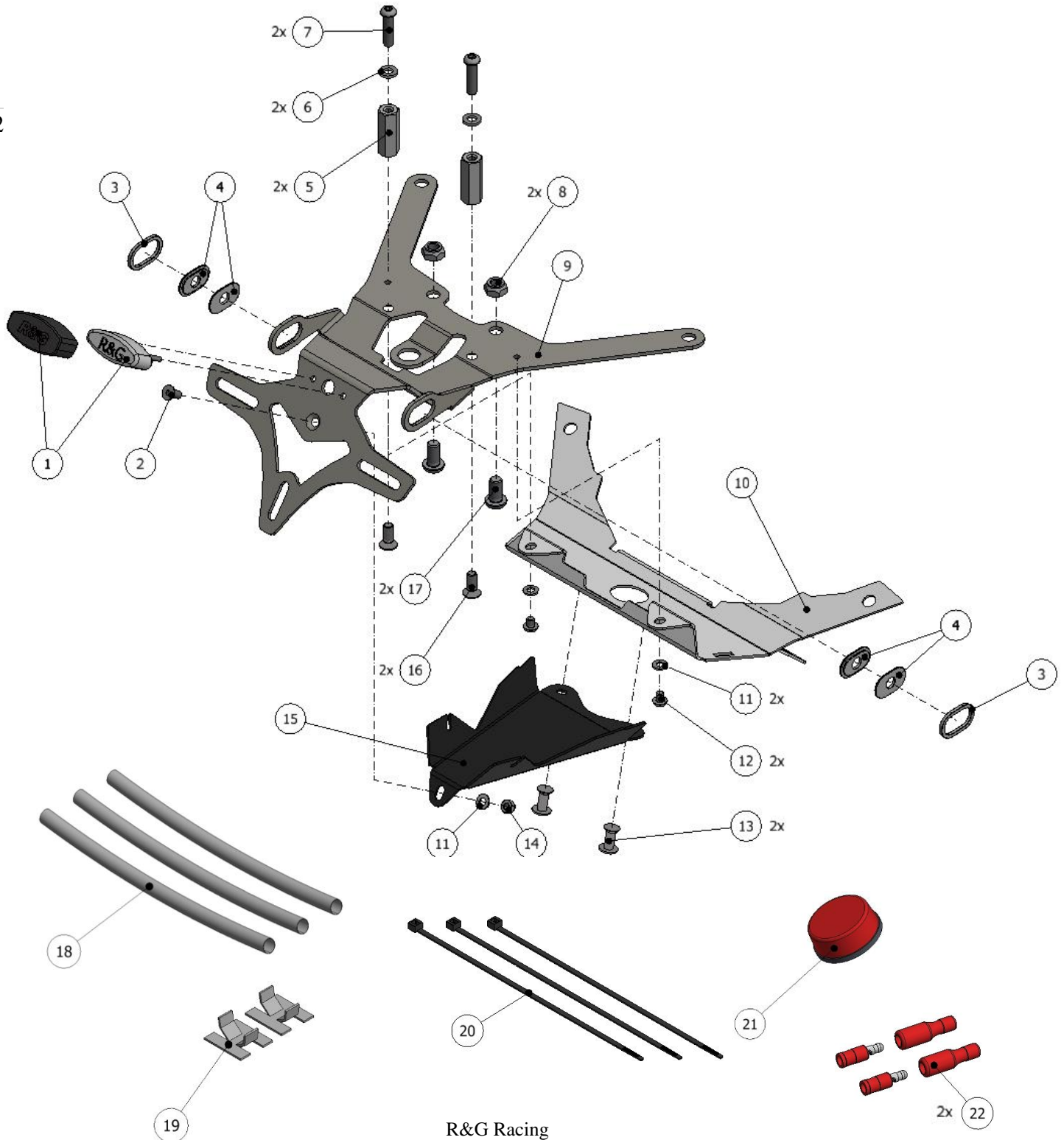
MAXIMUM TORQUE SETTINGS

- M4 Bolt = 8 Nm
- M5 Bolt = 12 Nm
- M6 Bolt = 15 Nm
- M8 Bolt = 20 Nm

R&G Racing

Unit 1, Shelley's Lane, East Worldham, Alton, Hampshire, GU34 3AQ

Tel: +44 (0)1420 89007 Fax: +44 (0)1420 87301 www.rg-racing.com Email: info@rg-racing.com





LEGEND

- ITEM 1 = LICENCE PLATE ILLUMINATOR & SHROUD (LA0002) (x1).
ITEM 2 = M5 x 12mm LONG COUNTERSUNK BOLTS (x1).
ITEM 3 = OEM INDICATOR ADAPTORS (I0050) (x2).
ITEM 4 = MINI INDICATOR ADAPTORS (I0049) (x4).
ITEM 5 = THREADED SPACER (S1064 – 33mm long) (x2).
ITEM 6 = M6 WASHERS (x2).
ITEM 7 = M6 x 25mm LONG BUTTON HEAD BOLTS (x2).
ITEM 8 = M8 FLANGED HEAD LOCK NUTS (x2).
ITEM 9 = LICENCE PLATE BRACKET (TB0234 Part 1) (x1).
ITEM 10 = LARGE COVER (TB0234 Part 2) (x1).
ITEM 11 = M5 WASHERS (x3).
ITEM 12 = M5 x 6mm LONG BUTTON HEAD BOLTS (x2).
ITEM 13 = PUSH RIVET (x2).
ITEM 14 = M5 NYLOC NUT (x1).
ITEM 15 = SMALL COVER (TB0234 Part 3) (x1).
ITEM 16 = M6 x 16mm LONG COUNTERSUNK BOLTS (x2).
ITEM 17 = M8 x 16mm LONG BUTTON HEAD BOLTS (x2).
ITEM 18 = 150mm LENGTH OF HEATSHRINK (x3).
ITEM 19 = SELF-ADHESIVE CABLE CLIPS (x2).
ITEM 20 = 2.5mm CABLE TIES (x3).
ITEM 21 = REFLECTOR (x1).
ITEM 22 = BULLET CONNECTORS (CON0004) (x2).

Page | 3

Please note that in cases where kits are packed with rubber washers holding the components onto the bolt – *the rubber washers should be thrown away!*



Picture 1



Picture 2



Picture 3



Picture 4



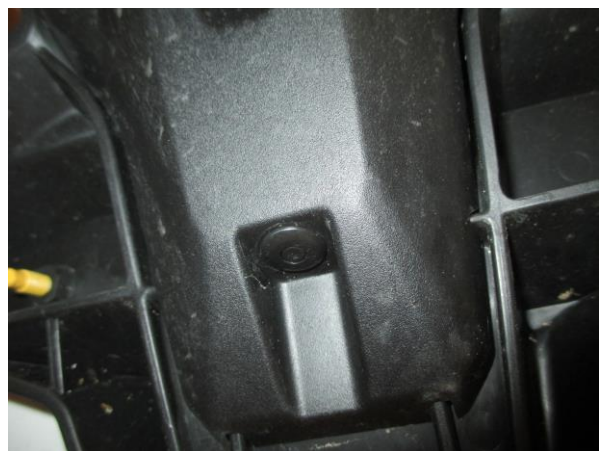
Picture 5



Picture 6



Picture 7



Picture 8



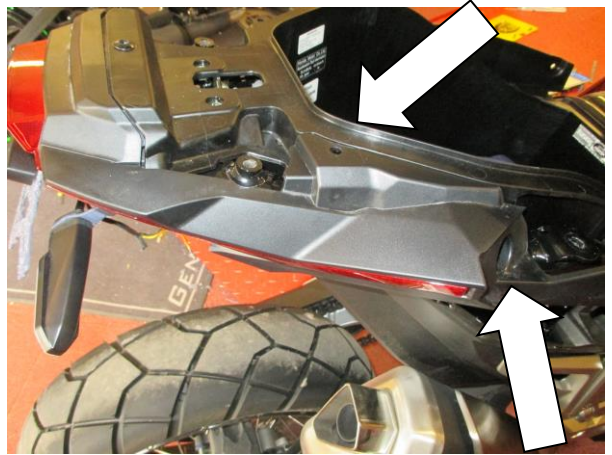
Picture 9



Picture 10



Picture 11



Picture 12



Picture 13



Picture 14



Picture 15



Picture 16



Picture 17



Picture 18



Picture 19



Picture 20



Picture 21



Picture 22



Picture 23



Picture 24



Picture 25



Picture 26



Picture 27



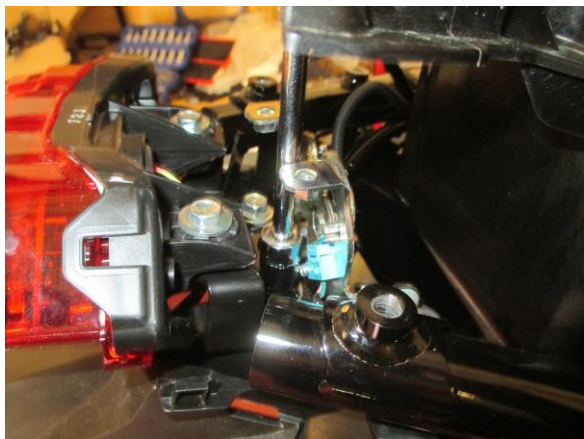
Picture 28



Picture 29



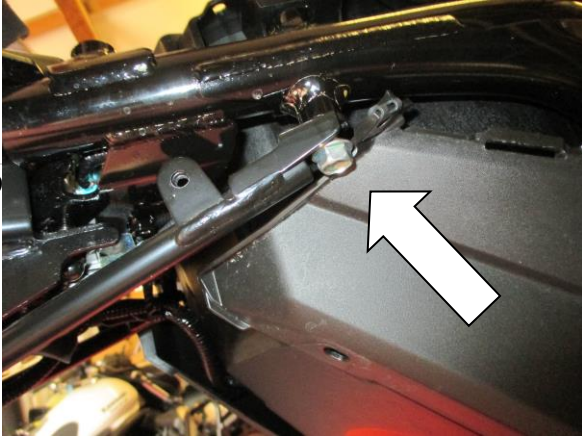
Picture 30



Picture 31



Picture 32



Picture 33



Picture 34



Picture 35



Picture 36



Picture 37



Picture 38



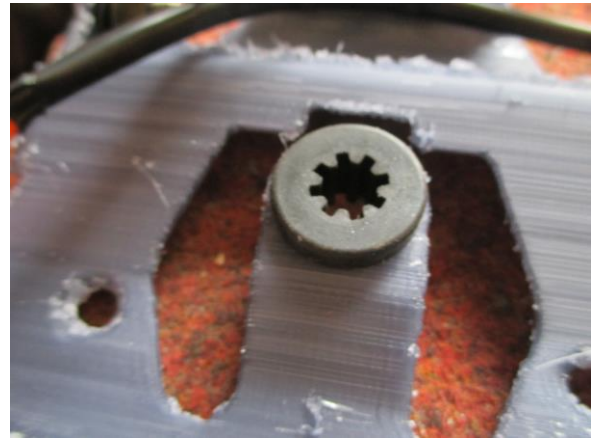
Picture 39



Picture 40



Picture 41



Picture 42



Picture 43



Picture 44



Picture 45



Picture 46



Picture 47



Picture 48



Picture 49



Picture 50



Picture 51



Picture 52



Picture 53



Picture 54



Picture 55



Picture 56



Picture 57



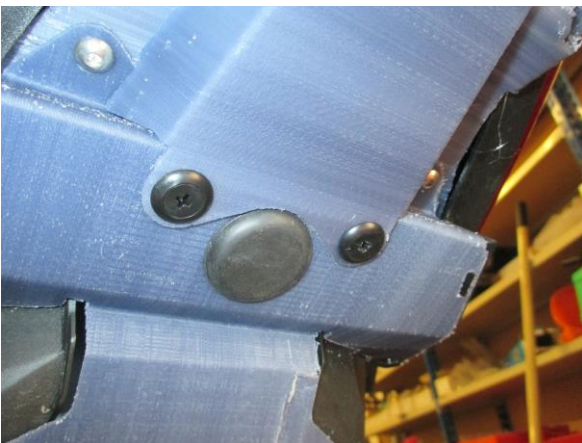
Picture 58



Picture 59



Picture 60



Picture 61



Picture 62



Picture 63



Picture 64

FITTING INSTRUCTIONS

- To fit the R&G tail tidy, lift the seat.
- Remove the four bolts that secure the OEM luggage/grab rail in place, as shown in picture 1.
- Remove the bolt that secures the side panel in place, as shown in picture 2, along with the two push rivets on the inside, as shown in picture 3.
- Remove the panel as shown in picture 4, by pulling the front off the rubber mount and unclipping along the bottom edge to remove.
- Repeat the above two steps to remove the side panel from the right side of the bike.
- Remove the four bolts that secure the underside panel to the rear. There are two bolts either side, shown in pictures 6 & 7.
- Remove the push rivet at the rear of the underside panel, as shown in picture 8, and the two bolts that are shown in pictures 9 & 10.
- The plastic underside panel can now be removed from the bike, as shown in picture 11.
- Remove the push rivet and bolt that are arrowed in picture 12 to remove the plastic side panel that features the reflectors. Do the same to remove the panel from the other side of the bike.
- Remove the bolt that secures the top of the plastic light surround and the two bolts either side of the seat locking mechanism in place, as shown in picture 13.
- Remove the bolts on both sides that secure the silver plastic cover in place, as shown in picture 14 and unclip the cover and remove from the bike, as shown in picture 15.
- On the side of the rear light surround there are two grey plastic clips that secure the plastic panels together. Rotate these 90 degrees to release and pull out of the fixing, as shown in pictures 16 & 17. There is one on both sides of the bike.
- The plastic surround can now be removed from the rear light.
- Using a Phillips screwdriver, remove the two screws screw into the plastic licence plate hanger cover from the underside of the licence plate bracket, as shown in pictures 19 & 20. There is one screw towards the front and one towards the rear.
- Remove the grey plastic clip by rotating 90 degrees that connects the two plastic panels together on both sides of the tail bracket, as shown in picture 21.
- Remove the bolt that is shown in picture 22 on both sides of the bike.
- Inside the luggage compartment, remove the four push rivets that mount the plastic panel in place, as shown in picture 24.



- Disconnect the battery and remove from the bike, as shown in picture 25.
- Remove the bolts that secure the luggage compartment in place on the bottom, just above the swingarm, as shown in pictures 26 & 27.
- This will allow the back of the luggage compartment to be lifted clear to access the bolts around the locking mechanism, as shown in picture 28.
- Remove the cap head bolt that fixes the locking mechanism bracket in place, as shown in picture 29. With the bracket loosened, rotate it forward slightly to gain better access the two hex head bolts, as shown in picture 30, before removing these using a socket and extension, as shown in picture 31.
- Remove the two bolts that are arrowed in pictures 32 & 33 that mount the licence plate bracket. Support this whilst disconnecting the two wiring connectors that are clipped to the side of the frame and the small connectors for the indicators that are in the rubber cover, as shown in pictures 34 & 35.
- Remove the tail bracket from the bike.
- Remove the two bolts that secure the tail light in place and feed the wiring out to remove the tail light, as shown in picture 36.
- Remove the rubber mount from the OEM tail bracket, as shown in picture 37, as this needs to be re-used.
- If planning to re-use the OEM indicators, remove these from the OEM tail bracket by removing the bolt that secures the indicator in place and remove whilst feeding the wiring out, as shown in pictures 38 & 39.
- Take the OEM tail light and remove the two metal top hat spacers from the rubber mounts. Re-fit these into the rubber mount from the opposite side, so the larger diameter of the spacer faces the bottom of the light unit, as shown in picture 40.
- Take the two threaded spacers (item 5 – S1064), two M6 x 25mm long button head bolts (item 7) and the two M6 washers (item 6) and offer up to the rubber mounts on the tail light as shown in picture 40, with the bolts tightening into the threaded spacers.
- Re-fit the OEM tail light plastic cover to the tail light, as shown in picture 41.
- Take the R&G Licence Plate Bracket (item 9 – TB0234 Part 1) and fit the OEM rubber mount into the large central hole, as shown in picture 42.
- Fit the indicators of choice into the oblong indicator mounts on the licence plate bracket.

If fitting Mini Indicators

- To fit the R&G Mini Indicators, fit one length of heatshrink to the wires of each indicator.
- Feed the wiring of either indicator through the hole in one of the mini indicator adaptors (item 6 – I0049), ensuring the raised boss on the adaptors face away from the indicator.
- Feed the indicator wiring through the hole on the licence plate bracket, positioning the raised boss on the adaptor within the hole, before positioning a second mini indicator adaptor (item 4 – I0049) (with the boss facing toward the indicator) over the wiring and into the hole on the bracket, before fitting the indicator nut over the wiring and tighten onto the threaded stalk of the indicator, as shown in picture 43.
- Fit the other indicator the same way in the remaining indicator mount, ensuring the R&G logo is facing upwards.

If fitting OEM Indicators

- Locate one of the OEM indicator adaptors (item 3 – I0050) over the rubber mount of the OEM indicator.
- Fit each indicator to the R&G indicator bracket by feeding the indicator wiring through the large hole on the licence plate bracket and locate the rubber with the hole, before refitting the metal plate and OEM bolt to secure in place, as shown in picture 44.
- Fit the R&G licence plate illuminator (item 1 – LA0002) to the bracket, as shown in pictures 43 & 44. Fit one length of heatshrink to the wires, tighten the nuts on the rear and use a small amount of super glue to secure the light shroud in place.



- Offer the assembly up to the underside of the tail unit and re-fit the two OEM bolts in the mounting points on the arms, as shown in pictures 45 & 46, before loosely tightening.
- Fit the two M8 x 16mm long button head bolts (item 17) through the two mounting holes on the bracket nearest the locking mechanism, then through the subframe mount and fit the two M8 flanged head locknuts (item 8) onto the exposed end of the bolt, as shown in picture 48.
- Fully tighten all four bolts to secure in place.
- Reposition the locking mechanism mounting bracket and re-fit the OEM cap head bolt, as shown in picture 49. This is made easier by lifting the luggage compartment clear.
- Re-fit the OEM tail light into position, as shown in picture 50.
- From underneath, fit the two M6 x 16mm long countersunk bolts (item 16) through the two countersunk holes on the licence plate bracket and into the bottom of the threaded spacer. Use a spanner to hold the spacer whilst tightening the two bolts, as shown in pictures 51 & 52.
- Re-connect the wiring connector for the tail light, along with those for the indicators if re-using the OEM indicators.
- The wiring for the licence plate illuminator and Mini Indicators will need to be “cut and shut” in order to connect to the OEM loom.
- To do this, cut the connector off each indicator and the licence plate illuminator with at least 50mm of wiring still attached. Strip the end of the wiring and fit the female bullet connectors supplied (item 22 – CON0004) to the exposed end of the wiring and this can now be connected to the bullet connectors on the mini indicators.
- If fitting R&G Aero Indicators the yellow wire on the Aero Indicators connects with the orange or blue wire on the OEM indicator wiring and the black wire on the Mini Indicators connects with the green wire on the OEM indicator wiring. 1x set of RGR0001 resistors (available separately) are required to achieve the correct flash rate.
- If fitting R&G Mini Indicators with bulbs, the black/white wire on the Mini Indicators connects with the orange or blue wire on the OEM indicator wiring and the black wire on the Mini Indicators connects with the green wire on the OEM indicator wiring. 1x set of RGR0001 resistors (available separately) are required to achieve the correct flash rate.
- If fitting R&G Mini Indicators with LED’s, the black/white wire on the Mini Indicators connects with the orange or blue wire on the OEM indicator wiring and the black wire on the Mini Indicators connects with the green wire on the OEM indicator wiring. 1x set of RGR0001 resistors (available separately) are required to achieve the correct flash rate.
- Connect the licence plate illuminator wiring so the OEM green wire connects with the R&G black wire and the OEM brown wire connects with the R&G red wire.
- *If the license plate illuminator fails to illuminate, please swap the connectors around.*
- Check for the correct operation of all lights.
- Neatly route the wiring within the tail unit.
- Re-fit the two-original plastic side panels that feature the reflectors and re-fit the two bolts and push rivets to secure these in place, as shown in picture 54.
- Take the larger cover (item 10 – TB0234 Part 2) and offer up to the underside of the bike. Ensure the two plastic tabs locate into the rectangular slots on each side, before re-fitting the four original bolts through the four mounting holes and the two M5 x 6mm long button head bolts (item 12) and M5 washers (item 11) through the bent upper mounting holes before tightening, as shown in pictures 56 & 57. Ensure the wiring is neatly routed and not trapped and re-fit the OEM rubber bung to protect the key lock, as shown in picture 56.
- Take the smaller cover (item 15 – TB0234 Part 3) and offer up to the underside of the tail tidy assembly as shown in pictures 58 & 59. Take the M5 x 12mm long countersunk bolt (item 2), M5 washer (item 11) and M5 nyloc nut (item 14) and fit through the countersunk mounting hole on the licence plate bracket, before fitting the washer and nyloc nut on the back of the cover, as shown in pictures 59 & 60. *Ensure the indicator wiring is neatly routed through the slot on the cover and is not trapped.*



- Fit the two push rivets (item 13) through the two remaining mounting holes of the small cover and into the holes in the large cover, before fastening tight, as shown in picture 61.
- Re-fit the three bolts on top of the tail light/locking mechanism, as shown in picture 62.
- Re-fit the two bolts at the bottom of the luggage compartment above the swingarm, along with re-fitting and connecting the battery and plastic tray inside the luggage compartment, as shown in picture 63.
- Re-fit the side panels on both sides of the bike in a reverse procedure of how they were removed.
- Re-fit the luggage/grab rail.
- Re-fit the licence plate (it may require drilling).
- Depending on local laws, attach enclosed reflector in an appropriate location.
- Test the licence plate illuminator and all lights before riding.

ISSUE 1 26/09/2017 (AR)

Digital copies of these instructions are available to download from www.rg-racing.com

CONSUMER NOTICE

The catalogue description and any exhibition of samples are only broad indications of the Products and R&G may make design changes which do not diminish their performance or visual appeal and supplying them in such state shall conform to the order. The Buyer acknowledges no representation or warranty (other than as to title) has been given or will apply to the Products other than those in R&G's order or confirmation and the Buyer confirms it has chosen the Products as being of merchantable quality and suitable for its particular purposes. Where R&G fits the Products or undertakes other services it shall exercise reasonable skill and care and rectify any fault free of charge unless the workmanship has been disturbed. The Buyer is responsible for ensuring that the warranty on the motorcycle is not affected by the fitting of the Products. On return of any defective Products R&G shall at its option either supply a replacement or refund the purchase money but shall not be liable if the Products have been modified or used or maintained otherwise than in accordance with R&G's or manufacturer's instructions and good engineering practice or if the defect arises from accident or neglect. Other than identified above and subject to R&G not limiting its liability for causing death and personal injury, it shall not be liable for indirect or consequential loss and otherwise its liability shall be limited to the amounts paid by the Buyer for the Products or the fitting or service concerned. These terms do not affect the Buyer's statutory rights.

R&G RACING RETURNS POLICY (NON-FAULTY GOODS)

Returns must be pre-authorized (if not pre-authorized the return will be rejected). Goods may only be returned direct to us if they were purchased direct from us (customer must prove if necessary). Otherwise to be returned to original vendor. Goods must be in re-sellable condition, in the opinion of R&G Racing. All returns are subject to a 25% restocking and handling fee (25% of the gross value exc. P&P – at the prevailing price at time of purchase). The customer must pay any and all carriage charges. No returns of discontinued products, unless within 14 days of purchase. This policy does not affect your statutory rights and does not refer to faulty goods.



**NOTICE DE MONTAGE POUR LP0234BK SUPPORT DE PLAQUE
HONDA X-ADV '17-**



Page | 18

Le kit contient les articles exposés ci-dessous, vérifier que toutes les pièces soient présentes avant de procéder au montage.

La façon dont le kit est emballé ne correspond pas forcément à la façon de monter les pièces sur la moto.

LES PARTIES PRESENTEES PEUVENT ETRE UNIQUEMENT REPRESENTATIVES (POUR LA CLARTE DES INSTRUCTIONS UNIQUEMENT).

OUTILS REQUIS

- Clés Allen.
- Jeu de clés et extensions.
- Clé à molette 12mm spanner.
- Tournevis cruciforme.
- Coupe câble.

VALEURS DE SERRAGE

- M4 Boulon = 8 Nm
- M5 Boulon = 12 Nm

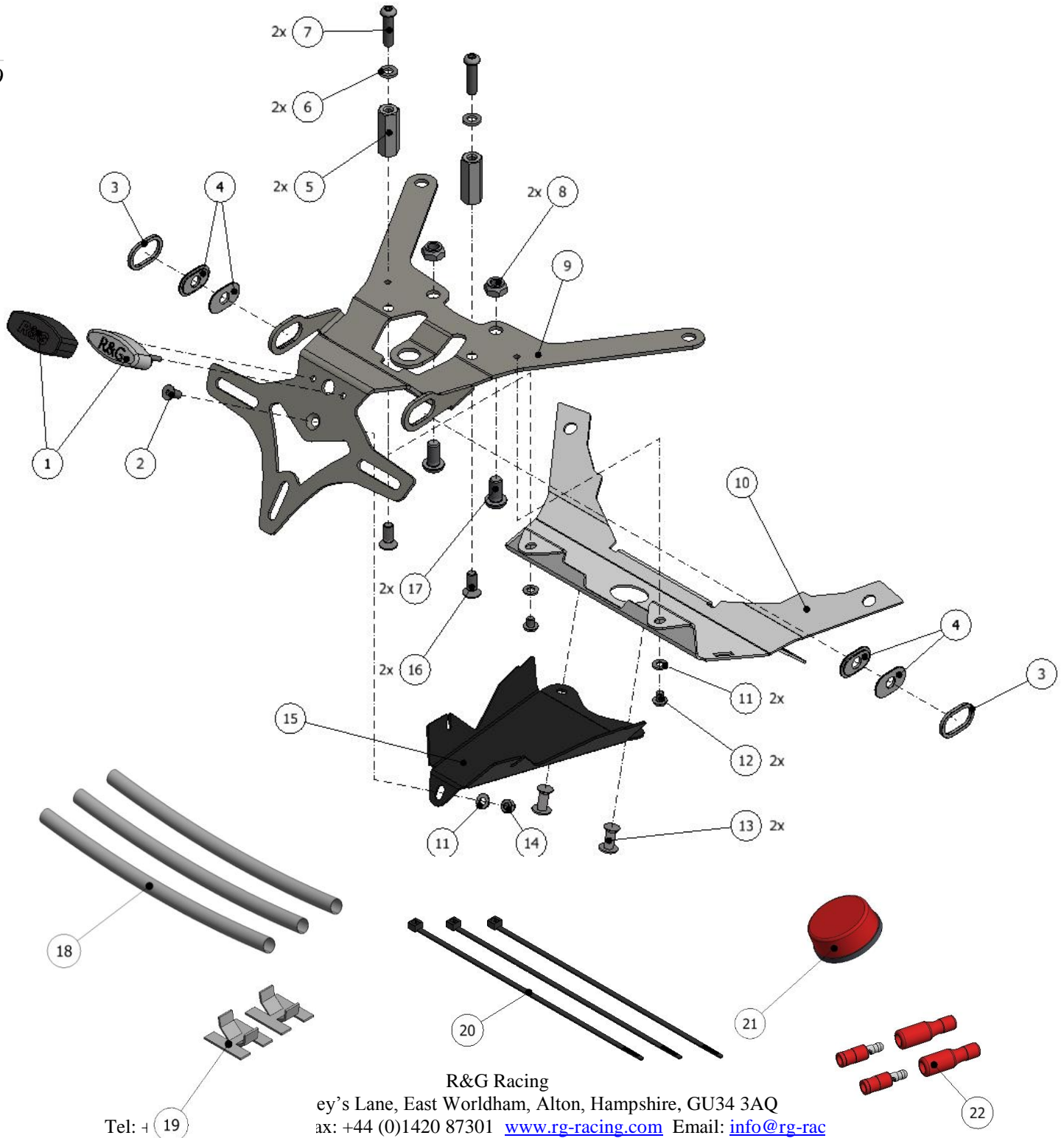
R&G Racing

Unit 1, Shelley's Lane, East Worldham, Alton, Hampshire, GU34 3AQ

Tel: +44 (0)1420 89007 Fax: +44 (0)1420 87301 www.rg-racing.com Email: info@rg-racing.com



- M6 Boulon = 15 Nm
- M8 Boulon = 20 Nm





2x

LÉGENDE

Page | 20

- ARTICLE 1 = FEU DE PLAQUE & LINCEUL (LA0002) (x1).
- ARTICLE 2 = M5 x 12mm BOULONS (x1).
- ARTICLE 3 = ADAPTATEURS DE CLIGNOTANT D'ORIGINE (I0050) (x2).
- ARTICLE 4 = ADAPTATEURS DE MINI CLIGNOTANT (I0049) (x4).
- ARTICLE 5 = ENTRETOISE FILETÉE (S1064 – 33mm de long) (x2).
- ARTICLE 6 = M6 RONDELLES (x2).
- ARTICLE 7 = M6 x 25mm BOULONS (x2).
- ARTICLE 8 = M8 ÉCROUS DE BLOCAGE (x2).
- ARTICLE 9 = SUPPORT DE PLAQUE (TB0234 Part 1) (x1).
- ARTICLE 10 = CACHE LARGE (TB0234 Partie 2) (x1).
- ARTICLE 11 = M5 RONDELLES (x3).
- ARTICLE 12 = M5 x 6mm BOULONS (x2).
- ARTICLE 13 = RIVET (x2).
- ARTICLE 14 = M5 ÉCROU DE BLOCAGE (x1).
- ARTICLE 15 = PETIT CACHE (TB0234 Partie 3) (x1).
- ARTICLE 16 = M6 x 16mm BOULONS (x2).
- ARTICLE 17 = M8 x 16mm BOULONS (x2).
- ARTICLE 18 = 150mm LONGUEUR DE MOUSSE THERMO RÉTRACTABLE (x3).
- ARTICLE 19 = CLIPS CABLE AUTOCOLLANTS (x2).
- ARTICLE 20 = 2.5mm COLLIERS DE SERRAGE (x3).
- ARTICLE 21 = REFLECTEUR (x1).
- ARTICLE 22 = CONNECTEURS (CON0004) (x2).

Notez que si les kits sont emballés avec des rondelles en caoutchouc servant à tenir les composants, *ces rondelles doivent être jetées !*

NOTICE DE MONTAGE

- Pour monter le support de plaque R&G, lever le siège.
- Enlever les 4 boulons qui fixent le rail de bagage d'origine / accroche pour passer en place, voir photo 1.
- Enlever le boulon qui fixe le panneau latéral en place, voir photo 2, avec les 2 rivets internes, voir photo 3.
- Enlever le panneau, voir photo 4, en tirant l'avant du support en caoutchouc et en déclinçant le bord inférieur pour l'enlever.
- Répéter les 2 étapes supérieures pour enlever le panneau latéral du côté droit de la moto.
- Enlever les 4 boulons qui fixent le dessous du panneau à l'arrière. Il y a 2 boulons de chaque côté, voir photos 6 & 7.
- Enlever le rivet à l'arrière du panneau du dessous, voir photo 8, et les 2 boulons visibles sur les photos 9 & 10.
- Le panneau plastique du dessous peut maintenant être enlevé de la moto, voir photo 11.
- Enlever le rivet et le boulon visibles sur la photo 12 pour enlever le panneau latéral en plastique qui contient les réflecteurs. Faire la même chose pour Enlever le panneau de l'autre côté de la moto.
- Enlever le boulon qui fixe le haut du contour de feu en plastique et les 2 boulons de chaque côté du mécanisme de blocage de siège, voir photo 13.

R&G Racing

Unit 1, Shelley's Lane, East Worldham, Alton, Hampshire, GU34 3AQ

Tel: +44 (0)1420 89007 Fax: +44 (0)1420 87301 www.rg-racing.com Email: info@rg-racing.com



- Enlever les boulons des 2 côtés qui fixent le cache plastique argenté en place, voir photo 14 et déclipser le cache puis enlevez le de la moto, voir photo 15.
- Du côté du contour de feu arrière, il y a 2 clips plastique gris qui fixent les panneaux plastique ensemble. Tournez-les à 90 degrés pour les libérer puis tirez-les de la fixation, voir photos 16 & 17. Il y en a des 2 côtés de la moto.
- Le contour plastique peut maintenant être enlevé du feu arrière.
- Utiliser un tournevis cruciforme pour Enlever les 2 vis du cache de support de plaque par le dessous du support de plaque, voir photos 19 & 20. Il y a une vis vers l'avant et une vers l'arrière.
- Enlever le clip plastique gris en le tournant à 90 degrés qui connecte les 2 panneaux plastique des 2 côtés du support de plaque, voir photo 21.
- Enlever le boulon indiqué sur la photo 22 des 2 côtés de la moto.
- A l'intérieur du compartiment de bagage, Enlever les 4 rivets qui fixent le panneau en place, voir photo 24.
- Disconnect the battery and remove from the bike, as shown in photo 25.
- Enlever les boulons qui fixent le compartiment de bagage en place au bas, juste au-dessus du bras oscillant, voir photos 26 & 27.
- Cela permettra au bas du compartiment de bagage d'être levé pour accéder aux boulons autour du mécanisme de blocage, voir photo 28.
- Enlever le boulon qui fixe le support de mécanisme de blocage en place, voir photo 29. Une fois le support desserré, tournez le pour pouvoir mieux accéder aux 2 boulons, voir photo 30, avant de les enlever à l'aide d'une clé et extension, voir photo 31.
- Enlever les 2 boulons indiqués sur les photos 32 & 33 qui fixent le support de plaque. Supportez le tout en déconnectant les 2 connecteurs de fils clipsés au cadre et les petits connecteurs pour les clignotants qui se trouvent dans le cache en caoutchouc, voir photos 34 & 35.
- Enlever le support de plaque de la moto.
- Enlever les 2 boulons qui fixent le feu de plaque en place et passer les fils à travers pour enlever le feu de plaque, voir photo 36.
- Enlever le support en caoutchouc du support de plaque d'origine, voir photo 37, car il doit être réutilisé.
- Si vous comptez réutiliser les clignotants d'origine, enlevez-les du support de plaque en enlevant le boulon qui fixe le clignotant en place puis enlevez le en passant les fils à l'extérieur, voir photos 38 & 39.
- Prendre le feu de plaque d'origine et enlevez les 2 entretoises métalliques de leur support caoutchouc. Remontez les dans le support en caoutchouc du côté opposé, de façon à ce que le diamètre le plus large de l'entretoise soit face au bas de l'unité de feu, voir photo 40.
- Prendre les 2 entretoises filetéés (article 5 – S1064), 2 boulons M6 x 25mm (article7) et les 2 rondelles M6 (article 6) puis montez les sur les supports en caoutchouc du feu de plaque, voir photo 40, avec les boulons serrés dans les entretoises filetéés.
- Remonter le cache plastique du feu d'origine, voir photo 41.
- Prendre le support de plaque R&G (article 9 – TB0234 Partie 1) et montez le sur le support caoutchouc d'origine dans le trou central large, voir photo 42.
- Montez les clignotants de votre choix dans les supports clignotants oblongs du support de plaque.

Si vous montez les mini clignotants

- Pour monter les mini clignotants R&G, appliquez une longueur de mousse thermo rétractable sur les fils de chaque clignotant.
- Passer les fils de chaque clignotant dans le trou d'un des adaptateurs de mini clignotants (article 6 – I0049), en veillant à ce que le patron relevé sur les adaptateurs soit face au clignotant.
- Passer les fils de clignotants dans le trou du support de plaque, en positionnant le patron relevé de l'adaptateur dans le trou, avant de positionner un 2e adaptateur de mini clignotant (article 4 – I0049) (avec le patron face au



clignotant) sur le fil et dans le trou du support, avant d'insérer un écrou sur le fil et serrer sur la tige filetée and du clignotant, voir photo 43.

- Monter l'autre clignotants de la même façon sur le support clignotants restant, en veillant à ce que le logo R&G soit orienté vers le haut.

Page | 22 *Si vous montez les clignotants d'origine*

- Placer un adaptateur de clignotants d'origine (article 3 – I0050) sur le support caoutchouc du clignotant d'origine.
- Monter chaque clignotants sur le support clignotant R&G en passant le fil de clignotants dans le trou large du support de plaque puis placer le caoutchouc avec le trou, avant de remonter la plaque métallique et le boulon d'origine pour fixer la position, voir photo 44.
- Monter le feu de plaque R&G (article 1 – LA0002) su le support, voir photos 43 & 44. Appliquer une longueur de manchon thermos rétractable sur les fils, serrer les écrous à l'arrière puis utiliser un peu de superglue pour fixer le linceul de feu en place.
- Monter l'ensemble au-dessous de l'unité de support puis réinsérer les 2 boulons d'origine dans les points de fixation sur les bras, voir photos 45 & 46, avant de serrer légèrement.
- Insérer les 2 boulons M8 x 16mm (article 17) dans les 2 trous de fixation sur le support le plus proche on the du mécanisme de blocage puis dans le support sous cadre avant d'insérer les 2 écrous de blocage M8 (article 8) sur l'extrémité du boulon, voir photo 48.
- Serrer les 4 boulons pour fixer la position.
- Repositionner le support de fixation du mécanisme de blocage puis réinsérer le boulon d'origine, voir photo 49. Cette opération est plus facile en levant le compartiment de bagage.
- Remonter le support de feu d'origine en position, voir photo 50.
- Depuis le dessous, insérer les 2 boulons M6 x 16mm (article 16) dans les 2 trous du support de plaque et dans le bas de l'entretoise filetée. Utiliser une clé à molette pour tenir l'entretoise tout en serrant les 2 boulons, voir photos 51 & 52.
- Reconnecter le connecteur de fil pour le feu de plaque, avec ceux des clignotants si vous réutilisez les clignotants d'origine.
- Le fil pour le feu de plaque et les mini clignotants doivent être « coupés puis fermés » pour les connecter au faisceau d'origine.
- Pour cela, couper le connecteur de chaque clignotants et le feu de plaque en laissant au minimum 50mm de fil attaché. Dénuder l'extrémité du fil et montez les connecteurs femelles fournis (article 22 – CON0004) sur l'extrémité du fil qui peut maintenant être connecté aux connecteurs de mini clignotants.
- Si vous montez les clignotants latéraux R&G, le fil jaune sur les clignotants latéraux se connecte avec le fil orange ou le fil bleu sur le fil de clignotants d'origine et le fil noir sur les mini clignotants se connecte avec le fil vert sur le fil de clignotant d'origine. 1x set de résistances RGR0001 (disponible séparément) est requis pour obtenir le bon niveau d'éclairage.
- Si vous montez les mini clignotants R&G à ampoule, le fil noir/blanc sur les mini clignotants on the Mini se connecte avec le fil orange ou bleu sur le fil de clignotants d'origine et le fil noir sur les mini clignotants se connecte avec le fil vert sur le fil de clignotants d'origine. 1x set de RGR0001 résistances (disponible séparément) sont nécessaires pour obtenir le bon niveau d'éclairage.
- Si vous montez les mini clignotants R&G à LED, le fil noir/blanc sur les mini clignotants se connecte avec les le fil orange ou bleu sur le fil de clignotants d'origine et le fil noir sur les mini clignotants se connecte avec le fil vert sur le fil de clignotants d'origine. 1x set de résistances RGR0001 (disponible séparément) est nécessaire pour obtenir le bon niveau d'éclairage.
- Connecter le fil de feu de plaque de façon à ce que le fil vert d'origine se connecte avec le fil noir R&G et le fil marron d'origine se connecte avec le fil rouge R&G.

R&G Racing

Unit 1, Shelley's Lane, East Worldham, Alton, Hampshire, GU34 3AQ

Tel: +44 (0)1420 89007 Fax: +44 (0)1420 87301 www.rg-racing.com Email: info@rg-racing.com



- *Si le feu de plaque ne s'allume pas, tournez les connecteurs.*
- Vérifier que tous les feux fonctionnent.
- Organiser les fils dans l'unité de support de plaque.
- Remonter les 2 panneaux latéraux qui contiennent les réflecteurs puis réinsérer les 2 boulons et rivets pour les fixer en place, voir photo 54.
- Prendre le cache large (article 10 – TB0234 Partie 2) et montez le au-dessous de la moto. Veiller à ce que les 2 ongllets en plastique se placent dans les fentes rectangulaires de chaque côté, avant de réinsérer les 4 boulons on d'origine et les 2 boulons M5 x 6mm (article 12) et rondelles M5 (article 11) à travers les trous de fixation supérieurs courbés avant de serrer, voir photos 56 & 57. Veiller à ce que le fil soit correctement rangé puis applique l'œillet en caoutchouc d'origine pour protéger la serrure, voir photo 56.
- Prendre le plus petit cache (article 15 – TB0234 Partie 3) et montez le au-dessous du de l'assemblage de support de plaque, voir photos 58 & 59. Prendre le boulon M5 x 12mm (article 2), une rondelle M5 (article 11) et un écrou M5 (article 14) et passez le à travers le trou de fixation du support de plaque, avant d'insérer une rondelle et un écrou au bas du cache, voir photos 59 & 60. *Veiller à ce que le fil de clignotants soit correctement rangé dans la fente du cache et ne soit pas bloqué.*
- Monter les 2 rivets (article 13) dans les 2 trous de fixation du petit cache et dans les trous du cache large, avant de serrer, voir photo 61.
- Réinsérer les 3 boulons au-dessus du mécanisme de blocage/feu, voir photo 62.
- Réinsérer les 2 boulons au bas du compartiment de bagage au-dessus du bras oscillant, en remontant et en connectant la batterie et le plateau à l'intérieur du compartiment bagage, voir photo 63.
- Remonter les panneaux latéraux des 2 côtés de la moto en procédant à l'inverse de la façon dont ils ont été démontés.
- Remonter le rail de bagage/d'accroche.
- Remonter la plaque d'immatriculation (peut nécessiter un perçage).
- Selon les lois locales, attache le réflecteur à l'endroit approprié.
- Tester le feu de plaque ainsi que tous les autres feux avant de prendre la route.

ISSUE 1 26/09/2017 (AR)

Notice disponible au téléchargement sur www.rg-racing.com

CONSUMER NOTICE

The catalogue description and any exhibition of samples are only broad indications of the Products and R&G may make design changes which do not diminish their performance or visual appeal and supplying them in such state shall conform to the order. The Buyer acknowledges no representation or warranty (other than as to title) has been given or will apply to the Products other than those in R&G's order or confirmation and the Buyer confirms it has chosen the Products as being of merchantable quality and suitable for its particular purposes. Where R&G fits the Products or undertakes other services it shall exercise reasonable skill and care and rectify any fault free of charge unless the workmanship has been disturbed. The Buyer is responsible for ensuring that the warranty on the motorcycle is not affected by the fitting of the Products. On return of any defective Products R&G shall at its option either supply a replacement or refund the purchase money but shall not be liable if the Products have been modified or used or maintained otherwise than in accordance with R&G's or manufacturer's instructions and good engineering practice or if the defect arises from accident or neglect. Other than identified above and subject to R&G not limiting its liability for causing death and personal injury, it shall not be liable for indirect or consequential loss and otherwise its liability shall be limited to the amounts paid by the Buyer for the Products or the fitting or service concerned. These terms do not affect the Buyer's statutory rights.

R&G RACING RETURNS POLICY (NON-FAULTY GOODS)

Returns must be pre-authorized (if not pre-authorized the return will be rejected). Goods may only be returned direct to us if they were purchased direct from us (customer must prove if necessary). Otherwise to be returned to original vendor. Goods must be in re-sellable condition, in the opinion of R&G Racing. All returns are subject to a 25% restocking and handling fee (25% of the gross value exc. P&P – at the prevailing price at time of purchase). The customer must pay any and all carriage charges. No returns of discontinued products, unless within 14 days of purchase. This policy does not affect your statutory rights and does not refer to faulty goods.

R&G Racing

Unit 1, Shelley's Lane, East Worldham, Alton, Hampshire, GU34 3AQ

Tel: +44 (0)1420 89007 Fax: +44 (0)1420 87301 www.rg-racing.com Email: info@rg-racing.com



**MONTAGEANLEITUNG FÜR LP0234BK KENNZEICHENHALTER
HONDA X-ADV '17-**



Page | 24

ALLE KIT-TEILE SIND UNTEN ABGEBILDET UND GEKENNZEICHNET. BEVOR SIE MIT DER MONTAGE BEGINNEN, ÜBERPRÜFEN SIE, DASS ALLE TEILE VORHANDEN SIND.

Hinweis: Die Verpackung der Teile stellt nicht die Reihenfolge der Montage dar.

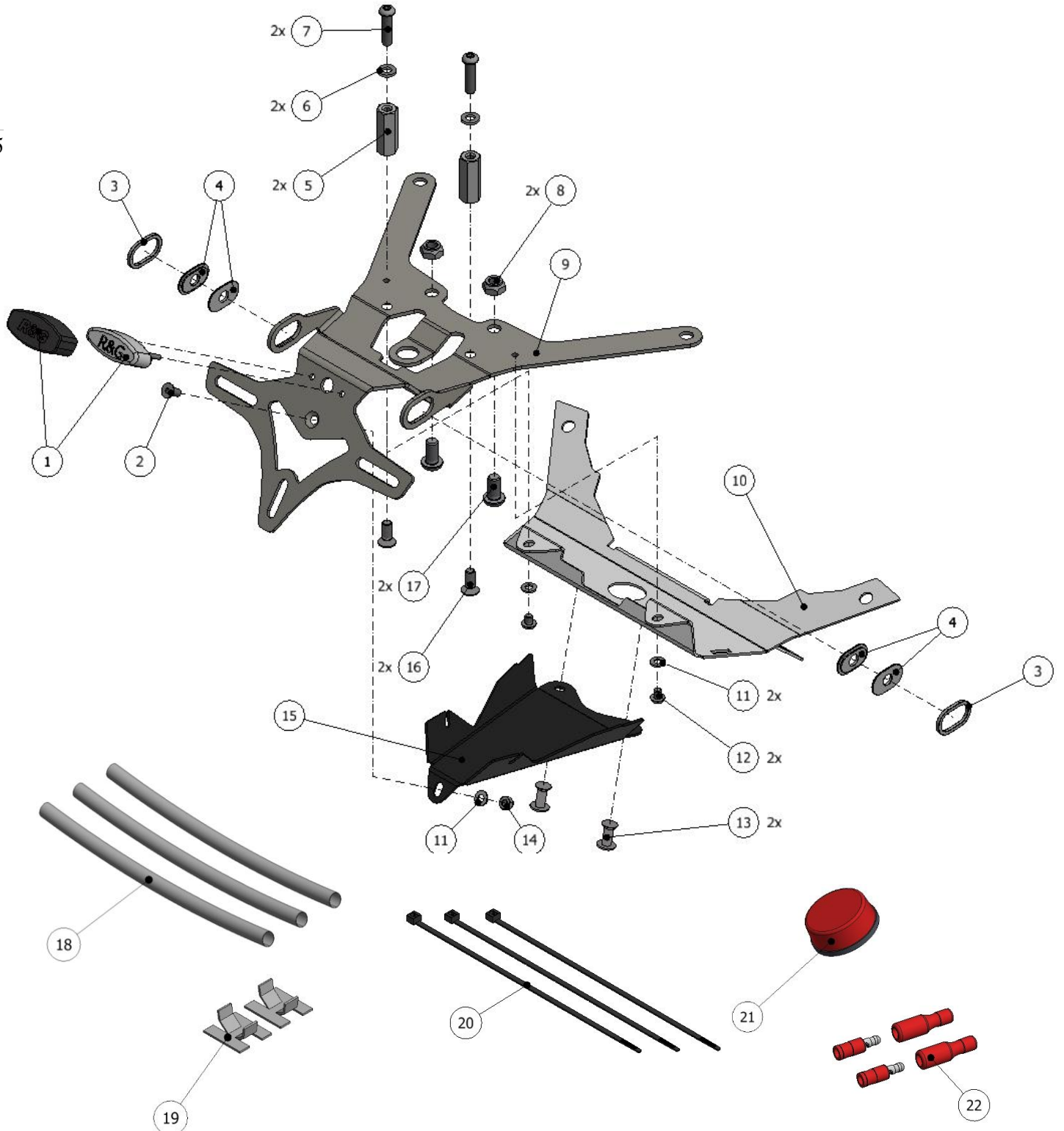
DIE UNTEN ABGEBILDETEN TEILE DIENEN LEDIGLICH ZUR ERKLÄRUNG

SIE BENÖTIGEN FOLGENDES WERKZEUG

- Satz Inbusschlüssel
- Steckschlüsselsatz mit Verlängerungen
 - 12mm Schraubenschlüssel
 - Kreuzschlitzschraubenzieher
 - Seitenschneider

MAXIMALE ANZUGSDREHMOMENTE:

M4 SCHRAUBE = 8Nm
M5 SCHRAUBE = 12Nm
M6 SCHRAUBE = 15Nm
M8 SCHRAUBE = 20Nm





2x

LIEFERUMFANG

- ARTIKEL 1 = KENNZEICHENBELEUCHTUNG & ABDECKUNG (LA0002) (x1)
ARTIKEL 2 = M5 x 12mm SENKSCHRAUBE (x1)
ARTIKEL 3 = ADAPTER FÜR DIE ORIGINAL BLINKER (I0050) (x2)
ARTIKEL 4 = ADAPTER FÜR MINIBLINKER (I0049) (x4)
ARTIKEL 5 = DISTANZHALTER (S1064 – 33mm Länge) (x2)
ARTIKEL 6 = M6 UNTERLEGSCHLEIBE (x2)
ARTIKEL 7 = M6 x 25mm INBUSSCHRAUBE (x2)
ARTIKEL 8 = M8 MUTTER (x2)
ARTIKEL 9 = KENNZEICHENHALTER (TB0234 Teil 1) (x1)
ARTIKEL 10 = GROSSE ABDECKUNG (TB0234 Teil 2) (x1)
ARTIKEL 11 = M5 UNTERLEGSCHLEIBE (x3)
ARTIKEL 12 = M5 x 6mm INBUSSCHRAUBE (x2)
ARTIKEL 13 = NIETE (x2)
ARTIKEL 14 = M5 SELBSTSICHERNDE MUTTER (x1)
ARTIKEL 15 = KLEINE ABDECKUNG (TB0234 Teil 3) (x1)
ARTIKEL 16 = M6 x 16mm SENKSCHRAUBE (x2)
ARTIKEL 17 = M8 x 16mm INBUSSCHRAUBE (x2)
ARTIKEL 18 = 150mm SCHRUMPFSCHLAUCH (x3)
ARTIKEL 19 = SELBSTKLEBENDE KABELCLIPS (x2)
ARTIKEL 20 = 2,5mm KABELBINDER (x3)
ARTIKEL 21 = RÜCKSTRAHLER (x1)
ARTIKEL 22 = KABELVERBINDER (CON0004) (x2)

Hinweis für Kits mit Plastikunterlegscheiben an den Schrauben – *Diese Plastikunterlegscheiben werden nicht für den Einbau benötigt!*

MONTAGEANLEITUNG

- Um den R&G Kennzeichenhalter montieren zu können, heben Sie den Sitz hoch.
- Entfernen Sie die vier Schrauben, die den original Gepäckträger/Haltegriff in Position befestigen –siehe Abbildung 1.
- Entfernen Sie die Schraube, die das Seitenverkleidungsteil in Position befestigt – siehe Abbildung 2 – sowie die zwei Nieten an der Innenseite – siehe Abbildung 3.
- Entfernen Sie das Verkleidungsteil wie in Abbildung 4 abgebildet – das Vorderteil von der Gummihalterung ziehen und die Unterkante lösen.
- Wiederholen Sie diese zwei Schritte, um das Seitenverkleidungsteil an der rechten Seite des Motorrades zu entfernen.
- Entfernen Sie die vier Schrauben, die das untere Verkleidungsteil hinten befestigen. Es sind je zwei Schrauben an jeder Seite – siehe Abbildungen 6 & 7.
- Entfernen Sie die Niete hinten am unteren Verkleidungsteil – siehe Abbildung 8 – und die zwei Schrauben, die in den Abbildungen 9 & 10 abgebildet sind.
- Das untere Verkleidungsteil aus Kunststoff kann nun vom Motorrad entfernt werden – siehe Abbildung 11.
- Um das Heckverkleidungsteil aus Kunststoff (mit Reflektoren) abmontieren zu können, entfernen Sie die Niete und die Schraube, die in Abbildung 12 gekennzeichnet sind. Diesen Schritt wiederholen, um das Verkleidungsteil an der anderen Seite des Motorrades zu entfernen.

R&G Racing

Unit 1, Shelley's Lane, East Worldham, Alton, Hampshire, GU34 3AQ

Tel: +44 (0)1420 89007 Fax: +44 (0)1420 87301 www.rg-racing.com Email: info@rg-racing.com



- Entfernen Sie die Schraube, die die Plastikabdeckung für die Beleuchtung oben befestigt und die zwei Schrauben an beiden Seiten der Sitzverriegelung – siehe Abbildung 13.
- Entfernen Sie die Schrauben an beiden Seiten, die die silberne Kunststoffabdeckung in Position befestigen – siehe Abbildung 14, und lösen Sie die Abdeckung, bevor Sie sie vom Motorrad entfernen – siehe Abbildung 15.
- An der Seite der Abdeckung für die Rückbeleuchtung sind zwei graue Clips aus Kunststoff, die die Kunststoff-Verkleidungsteile zusammen befestigen. Diese um 90 Grad drehen, um sie von der Halterung zu entfernen – siehe Abbildungen 16 & 17. (Je 1 x Clip an beiden Seiten des Motorrades).
- Die Kunststoff-Abdeckung kann nun von der Rückbeleuchtung entfernt werden.
- Mittels eines Kreuzschlitzschraubendrehers die zwei Schrauben entfernen, die von der Unterseite des Kennzeichenhalters in die Kunststoffabdeckung eingedreht wurden – siehe Abbildungen 19 & 20. Eine Schraube ist vorne und eine Schraube ist hinten.
- An beiden Seiten des Motorrades den grauen Clip aus Kunststoff entfernen, der die Kunststoff-Verkleidungsteile zusammen befestigt – den Clip einfach um 90 Grad drehen – siehe Abbildung 21.
- Entfernen Sie die Schraube, die in Abbildung 22 abgebildet ist, an beiden Seiten des Motorrades.
- Entfernen Sie die vier Nieten innerhalb des Stauraums, die das Kunststoff-Verkleidungsteil in Position befestigen – siehe Abbildung 24.
- Die Batterie abklemmen und vom Motorrad entfernen – siehe Abbildung 25.
- Entfernen Sie die Schrauben, die den Stauraum unten etwas oberhalb der Schwinge in Position befestigen - siehe Abbildungen 26 & 27.
- Somit kann der Stauraum angehoben werden, um Zugang zu den Schrauben an der Verriegelung zu ermöglichen – siehe Abbildung 28.
- Entfernen Sie die Schraube, die die Halterung für die Verriegelung in Position befestigt. – siehe Abbildung 29. Wenn die Halterung gelockert ist, drehen Sie sie etwas nach vorne, um einen besseren Zugang zu den zwei Sechskantschrauben zu ermöglichen – siehe Abbildung 30. Die Schrauben mit einem Steckschlüssel entfernen – siehe Abbildung 31.
- Entfernen Sie die zwei Schrauben, die in den Abbildungen 32 & 33 markiert sind (diese Schrauben befestigen den Kennzeichenhalter). Stützen Sie den Kennzeichenhalter während Sie die zwei Kabelverbinder, die an der Seite des Rahmens angeklammert sind, und die kleinen Kabelverbinder für die Blinker, die in der Gummiabdeckung sind entfernen – siehe Abbildungen 34 & 35.
- Entfernen Sie den Kennzeichenhalter vom Motorrad.
- Entfernen Sie die zwei Schrauben, die die Rückbeleuchtung in Position befestigen, und die Rückbeleuchtung zusammen mit den Kabeln entfernen – siehe Abbildung 36.
- Entfernen Sie die Gummihalterung vom original Kennzeichenhalter wie in Abbildung 37 abgebildet (sie wird später wieder montiert).
- Wenn Sie die original Blinker verwenden, entfernen Sie sie nun vom Kennzeichenhalter, indem Sie die Schraube, die den Blinker in Position befestigt entfernen sowie die Kabel – siehe Abbildungen 38 & 39.
- Entfernen Sie die zwei Distanzhalter aus Metall von den Gummihalterungen an der original Kennzeichenbeleuchtung. Montieren Sie sie an der Gummihalterung wieder, jedoch von der Gegenseite, so dass der große Durchmesser des Distanzhalters zur Beleuchtungseinheit unten zeigt – siehe Abbildung 40.
- Nehmen Sie die zwei Distanzhalter (Artikel 5 – S1064), zwei M6 x 25mm Inbusschrauben (Artikel 7) und die zwei M6 Unterlegscheiben (Artikel 6) und diese an den Gummihalterungen der Rückbeleuchtung anbringen wie in Abbildung 40 abgebildet, die Schrauben in die Distanzhalter eindrehen.
- Montieren Sie die original Kunststoffabdeckung an der Rückbeleuchtung wieder – siehe Abbildung 41.
- Nehmen Sie den R&G Kennzeichenhalter (Artikel 9 – TB0234 Teil 1) und montieren Sie die original Gummihalterung an der großen, mittleren Öffnung wie in Abbildung 42 abgebildet.
- Montieren Sie die Blinker Ihrer Wahl an den länglichen Blinker-Halterungen am Kennzeichenhalter.

Wenn Sie Miniblinker verwenden



- Um die R&G Miniblinker montieren zu können, je 1 x Schrumpfschlauch an den Blinker-Kabeln anbringen.
- Nehmen Sie einen Miniblinker-Adapter (Artikel 6 – I0049) und die Kabel von einem Blinker durch die Öffnung fädeln - bitte darauf achten, dass der angehobene Gewindeinsatz des Adapters vom Blinker weggedreht ist.
- Führen Sie die Kabel für die Blinker durch die Öffnung im Kennzeichenhalter - den gehobenen Gewindeinsatz des Adapters passend in der Öffnung positionieren, dann einen zweiten Miniblinker-Adapter (Artikel 4 – I0049) (Artikel 4 – I0049) über die Kabel und in der Öffnung des Halters einführen (der Gewindeinsatz zum Blinker gerichtet). Anschließend die Mutter über die Kabel zum Blinker hochschieben und am Blinker befestigen – siehe Abbildung 43.
- Den zweiten Blinker an der übrigen Blinker-Halterung auf der gleichen Art und Weise montieren – bitte darauf achten, dass das R&G Logo nach oben gerichtet ist.

Wenn Sie die original Blinker montieren

- Einen Adapter für die original Blinker (Artikel 3 – I0050) an der Gummihalterung des original Blinkers anbringen.
- Montieren Sie beide Blinker am R&G Kennzeichenhalter, indem Sie die Blinker-Kabel durch die große Öffnung im Kennzeichenhalter führen, den Gummi passend in der Öffnung fixieren und die Metallplatte sowie die original Schraube wieder in Position befestigen – siehe Abbildung 44.
- Montieren Sie die R&G Kennzeichenbeleuchtung (Artikel 1 – LA0002) am Kennzeichenhalter wie in den Abbildungen 43 & 44 abgebildet. 1 x Schrumpfschlauch an den Kabeln anbringen, die Mutter hinten befestigen und etwas Klebstoff an der Abdeckung für die Kennzeichenbeleuchtung anbringen, um diese sicher in Position zu fixieren.
- Die Einheit an der Unterseite des Hecks mit den zwei original Schrauben wieder an den Befestigungspunkten fixieren – siehe Abbildungen 45 & 46. Die Schrauben bitte nur lose befestigen.
- Die zwei M8 x 16mm Inbusschrauben (Artikel 17) durch die zwei Montageöffnungen des Halters, die in der Nähe des Verriegelungsmechanismus sind, dann durch die Hilfsrahmen-Halterung führen, und die zwei M8 Muttern (Artikel 8) am hervorstehenden Ende der Schrauben anbringen – siehe Abbildung 48.
- Ziehen Sie alle vier Schrauben fest.
- Den Verriegelungsmechanismus neu positionieren und die original Schraube wieder montieren wie in Abbildung 49 abgebildet.
- Die original Rückbeleuchtung wieder in Position montieren –siehe Abbildung 50.
- Die zwei M6 x 16mm Senkschrauben (Artikel 16) von unten durch die zwei gesenkten Öffnungen am Kennzeichenhalter, dann in den Distanzhalter einführen. Benutzen Sie einen Schraubenschlüssel, um den Distanzhalter zu halten während Sie die zwei Schrauben festziehen – siehe Abbildungen 51 & 52.
- Den Kabelverbinder für die Rückbeleuchtung wieder verbinden. Wenn Sie die original Blinker verwenden, die Verbinder für die Blinker wieder anschließen.
- Die Kabel für die Kennzeichenbeleuchtung und die Miniblinker müssen abgetrennt und abisoliert werden, um sie am original Kabelbaum anschließen zu können.
- Die original Steckverbinder für die Blinker und die Kennzeichenbeleuchtung mit mindestens 50 mm der jeweiligen Kabeln abschneiden. Die Kabelenden abisolieren und die weiblichen Kabelverbinder vom Kit (Artikel 22 – CON0004) an den offenen Kabeln anbringen. Diese können nun mit den Kabelverbindern an den Miniblinkern verbunden werden.
- Wenn Sie die R&G Aero Blinker montieren, das gelbe Kabel des Aero-Blinkers mit dem orangen oder blauen Kabel der original Verkabelung der Blinker verbinden und das schwarze Kabel des Aero-Blinkers mit dem grünen Kabel der original Verkabelung verbinden. 1x Satz RGR0001 Widerstände (separat erhältlich) wird benötigt, um die richtige Blitzgeschwindigkeit einzustellen.

R&G Racing

Unit 1, Shelley's Lane, East Worldham, Alton, Hampshire, GU34 3AQ

Tel: +44 (0)1420 89007 Fax: +44 (0)1420 87301 www.rg-racing.com Email: info@rg-racing.com



- Wenn Sie R&G Miniblinker mit Glühbirnen montieren, das schwarz/weiße Kabel des Miniblinkers mit dem orangen oder blauen Kabel der original Verkabelung der Blinker verbinden und das schwarze Kabel des Miniblinkers mit dem grünen Kabel der original Verkabelung verbinden. 1x Satz RGR0001 Widerstände (separat erhältlich) wird benötigt, um die richtige Blitzgeschwindigkeit einzustellen
- Wenn Sie R&G Miniblinker mit LEDs montieren, das schwarz/weiße Kabel des Miniblinkers mit dem orangen oder blauen Kabel der original Verkabelung der Blinker verbinden und das schwarze Kabel des Miniblinkers mit dem grünen Kabel der original Verkabelung verbinden. 1x Satz RGR0001 Widerstände (separat erhältlich) wird benötigt, um die richtige Blitzgeschwindigkeit einzustellen
- Verbinden Sie die Kabel für die Kennzeichenbeleuchtung, so dass das original (grüne) Kabel mit dem schwarzen R&G Kabel verbunden ist, und das (braune) original Kabel mit dem roten R&G Kabel verbunden ist.
- Wenn die Beleuchtung nicht funktionieren sollte, tauschen Sie die Kabelverbinder untereinander.
- Überprüfen Sie die Funktion der kompletten Beleuchtung.
- Die Kabel ordentlich im Heck verlegen.
- Montieren Sie die zwei Kunststoff-Verkleidungsteile mit Reflektoren sowie die zwei Schrauben und Nieten, die sie in Position befestigen wieder – siehe Abbildung 54.
- Die große Abdeckung (Artikel 10 – TB0234 Teil 2) nehmen und an der Unterseite des Motorrades ansetzen. Bitte darauf achten, dass die zwei Kunststoffflaschen in den rechteckigen Spalten an beiden Seiten positioniert sind, bevor Sie die vier original Schrauben in die vier Montageöffnungen einführen und die zwei M5 x 6mm Inbusschrauben (Artikel 12) und M5 Unterlegscheiben (Artikel 11) durch die gebogenen oberen Montageöffnungen führen und befestigen – siehe Abbildungen 56 & 57. Überprüfen Sie, dass die Kabel ordentlich verlegt sind und keine Kabel eingeklemmt sind, dann montieren Sie die original Gummitülle, die das Schlüsselschloss schützt – siehe Abbildung 56.
- Die kleine Abdeckung (Artikel 15 – TB0234 Teil 3) an der Unterseite des Kennzeichenhalters anbringen wie in den Abbildungen 58 & 59 abgebildet. Die M5 x 12mm Senkschraube (Artikel 2), M5 Unterlegscheibe (Artikel 11) und M5 selbstsichernde Mutter (Artikel 14) nehmen und die Senkschraube in die gesenkte Montageöffnung am Kennzeichenhalter einführen. Die Unterlegscheibe und selbstsichernde Mutter hinten an der Abdeckung befestigen – siehe Abbildungen 59 & 60. *Überprüfen Sie, dass die Kabel für die Blinker ordentlich durch die Öffnung an der Abdeckung geführt und nicht eingeklemmt ist.*
- Die zwei Nieten (Artikel 13) in die übrigen zwei Montageöffnungen in der kleinen Abdeckung einführen, dann in die Öffnungen in der großen Abdeckung und befestigen – siehe Abbildung 61.
- Montieren Sie die drei Schrauben oben auf der Rückbeleuchtung/Verriegelung wieder – siehe Abbildung 62.
- Montieren Sie die zwei Schrauben unten im Stauraum über der Schwinge wieder. Die Batterie wieder anschließen und die Kunststoffwanne innerhalb des Stauraums wieder montieren – siehe Abbildung 63.
- Montieren Sie die Seitenverkleidungen an beiden Seiten des Motorrades wieder.
- Montieren Sie den Gepäckträger/Haltegriff wieder.
- Montieren Sie das amtliche Kennzeichen (Bohrungen im Kennzeichen evtl. notwendig).
- Entsprechend der gesetzlichen Vorschriften, den mitgelieferten Rückstrahler anbringen.
- Überprüfen Sie die Funktion der Beleuchtung (Blinker und Kennzeichenhalter-Beleuchtung) vor Gebrauch des Fahrzeuges.

AUSGABE 1 26/09/2017 (AR)

Eine digitale Version dieser Montageanleitung kann auf folgender Seite heruntergeladen werden:
www.rg-racing.com



CONSUMER NOTICE

The catalogue description and any exhibition of samples are only broad indications of the Products and R&G may make design changes which do not diminish their performance or visual appeal and supplying them in such state shall conform to the order. The Buyer acknowledges no representation or warranty (other than as to title) has been given or will apply to the Products other than those in R&G's order or confirmation and the Buyer confirms it has chosen the Products as being of merchantable quality and suitable for its particular purposes. Where R&G fits the Products or undertakes other services it shall exercise reasonable skill and care and rectify any fault free of charge unless the workmanship has been disturbed. The Buyer is responsible for ensuring that the warranty on the motorcycle is not affected by the fitting of the Products. On return of any defective Products R&G shall at its option either supply a replacement or refund the purchase money but shall not be liable if the Products have been modified or used or maintained otherwise than in accordance with R&G's or manufacturer's instructions and good engineering practice or if the defect arises from accident or neglect. Other than identified above and subject to R&G not limiting its liability for causing death and personal injury, it shall not be liable for indirect or consequential loss and otherwise its liability shall be limited to the amounts paid by the Buyer for the Products or the fitting or service concerned. These terms do not affect the Buyer's statutory rights.

Page | 30

R&G RACING RETURNS POLICY (NON-FAULTY GOODS)

Returns must be pre-authorised (if not pre-authorised the return will be rejected). Goods may only be returned direct to us if they were purchased direct from us (customer must prove if necessary). Otherwise to be returned to original vendor. Goods must be in re-sellable condition, in the opinion of R&G Racing. All returns are subject to a 25% restocking and handling fee (25% of the gross value exc. P&P - at the prevailing price at time of purchase). The customer must pay any and all carriage charges. No returns of discontinued products, unless within 14 days of purchase. This policy does not affect your statutory rights and does not refer to faulty goods.